



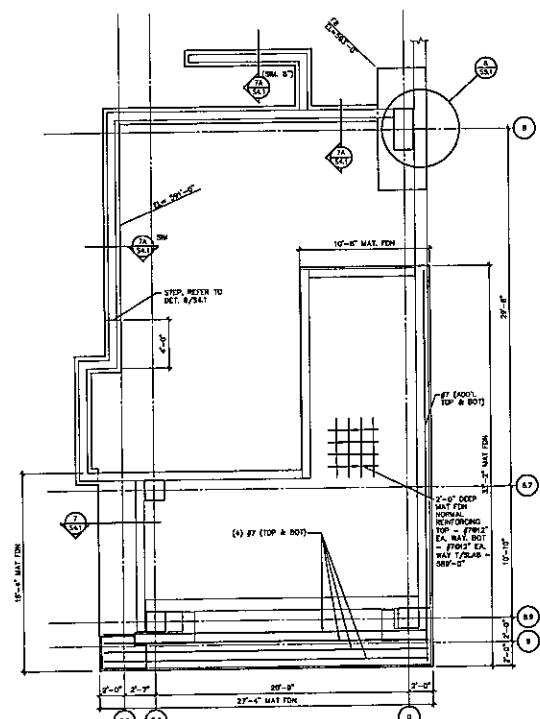


Carl Walker, Inc.  
445 W. Michigan Ave.  
Suite 101  
Kalamazoo, MI 49007  
U.S.A.

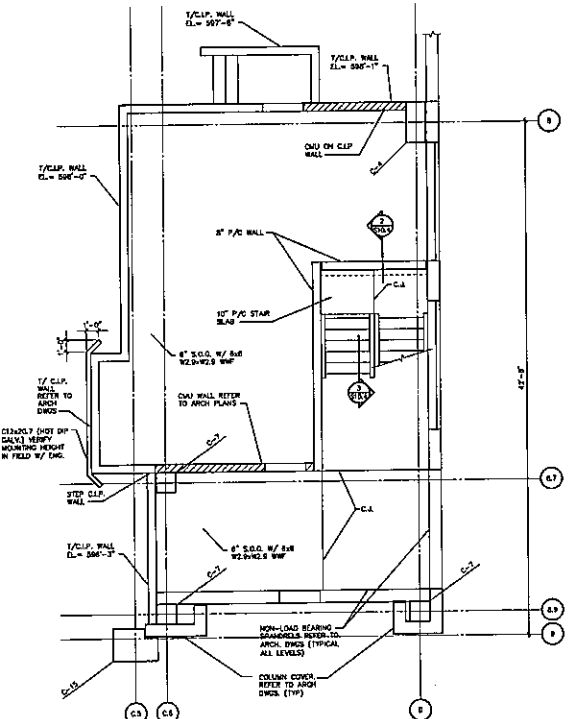
Phone (616) 381-2222  
Fax (616) 381-2188

CONSULTANTS  
Robert J. Kornacker | AIA  
Robert J. Holzman | AIA  
Architectural Services & Interiors, Inc.  
1004 east 4th street  
Kalamazoo, MI 49001  
phone 616-947-0088  
fax 616-947-0080  
mobile 616-347-4720

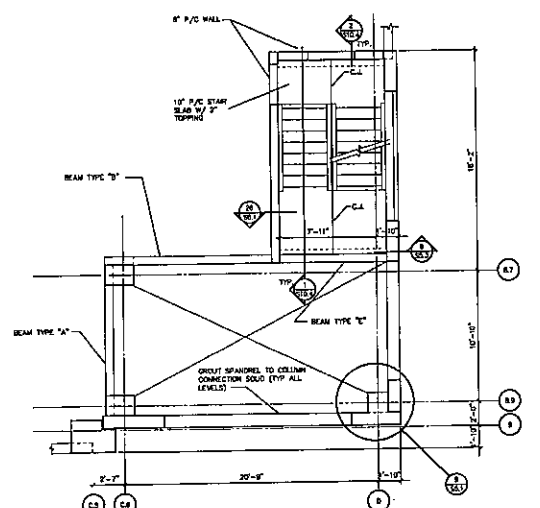
**THE PARK STREET  
PROJECT  
PARKING STRUCTURE**  
TRaverse City, Michigan



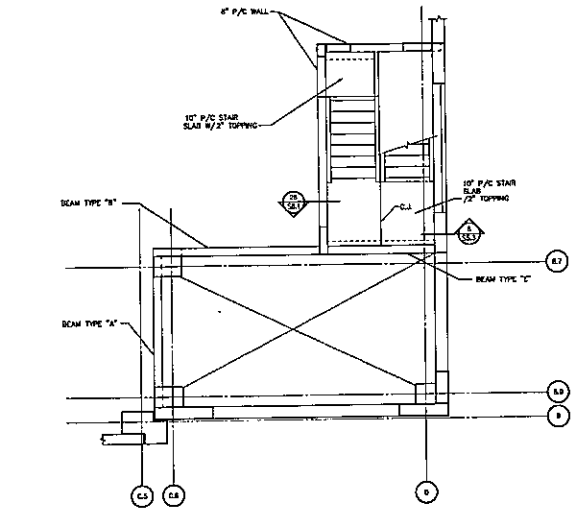
**1** SOUTHEAST STAIR - FOUNDATION PLAN  
1/4" = 1'-0"  
19010248



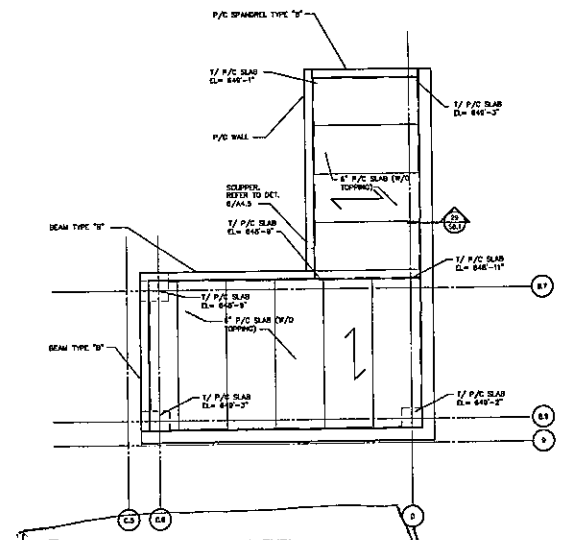
**2** SOUTHEAST STAIR - LEVEL 1  
1/4" = 1'-0"  
19010248



**3** SOUTHEAST STAIR - LEVEL 2 & 3  
1/4" = 1'-0"  
19010248



**4** SOUTHEAST STAIR - LEVEL 4  
1/4" = 1'-0"  
19010248



**5** SOUTHEAST STAIR - ROOF LEVEL  
1/4" = 1'-0"  
19010248

- SHEET NOTES:**
- REFER TO ARCHITECTURAL DRAWINGS FOR EXTERIOR FINISHES, OPENINGS AND PANEL THICKNESSES ABOVE LEVEL 4.
  - FOR COLUMN CONNECTION DETAILS, REFER TO SHEETS S14, S61, S61, AND S71.

The Drawings are the property of Carl Walker, Inc. and are not to be re-used or reproduced without written permission from Carl Walker, Inc.

PROJECT NO. S10  
DESIGN DATE 8/20  
DRAWN BY: C.L.A.

| DATE     | BY | REVISION        |
|----------|----|-----------------|
| 01-27-02 |    | ISSUED FOR BIDS |

DRAWING TITLE  
**SOUTHEAST STAIR PLANS**

|             |              |
|-------------|--------------|
| PROJECT NO. | DRAWING NO.  |
| 01-1997-001 | <b>S10.2</b> |

Carl Walker, Inc. - DRAWING NO. S10.2 - 01-1997-001 - 01-27-02 - 10:00am - 10/2/02

