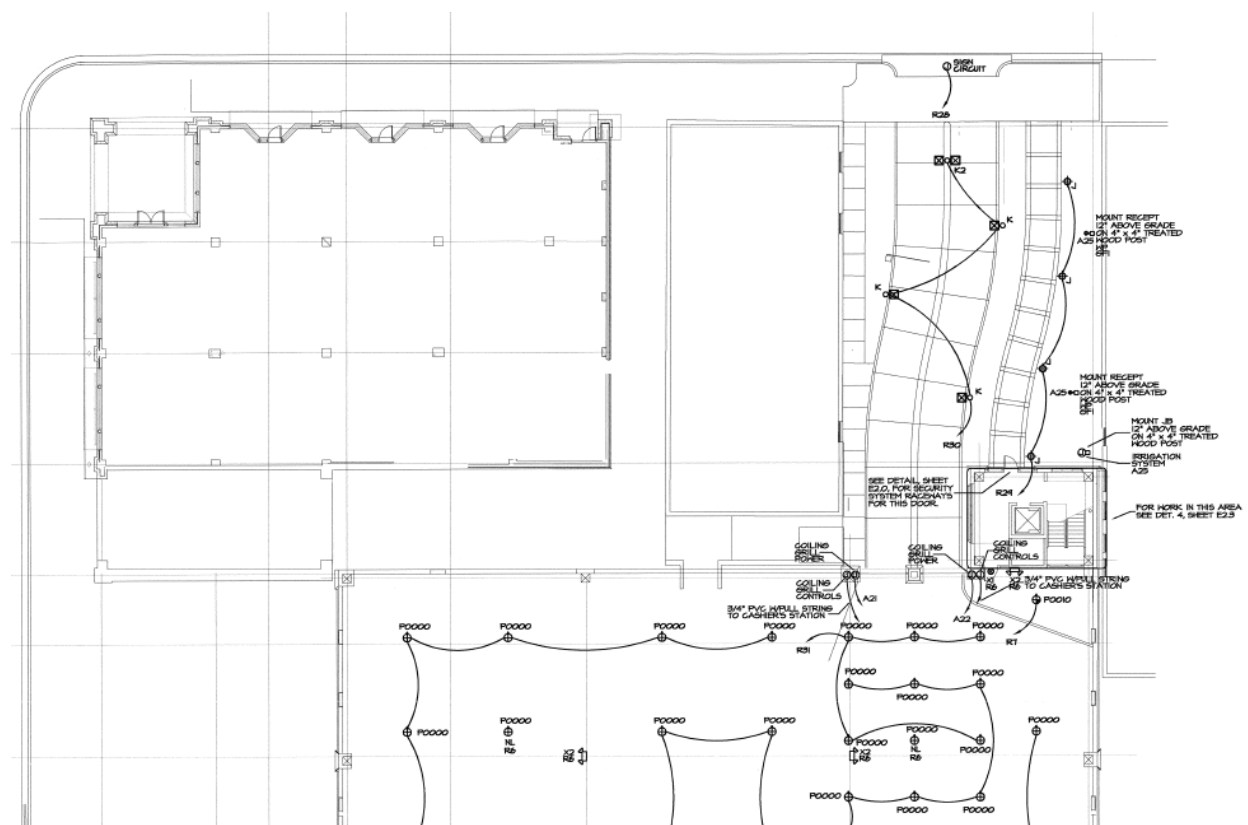
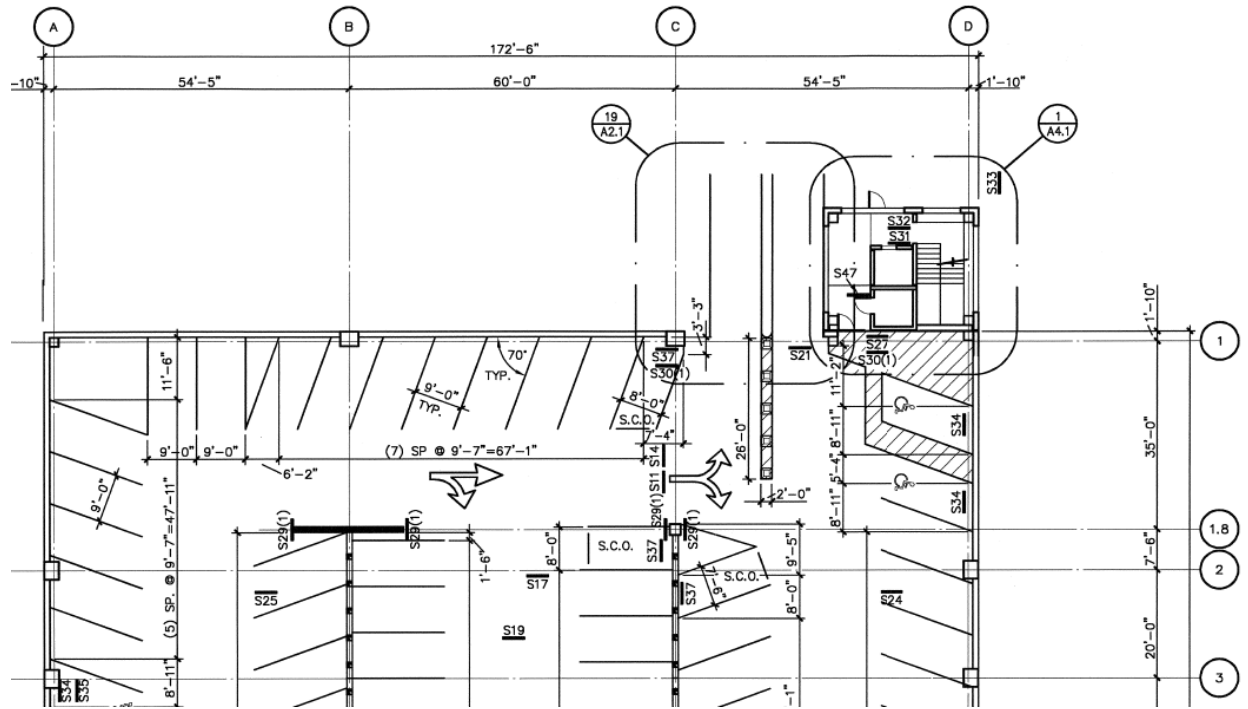
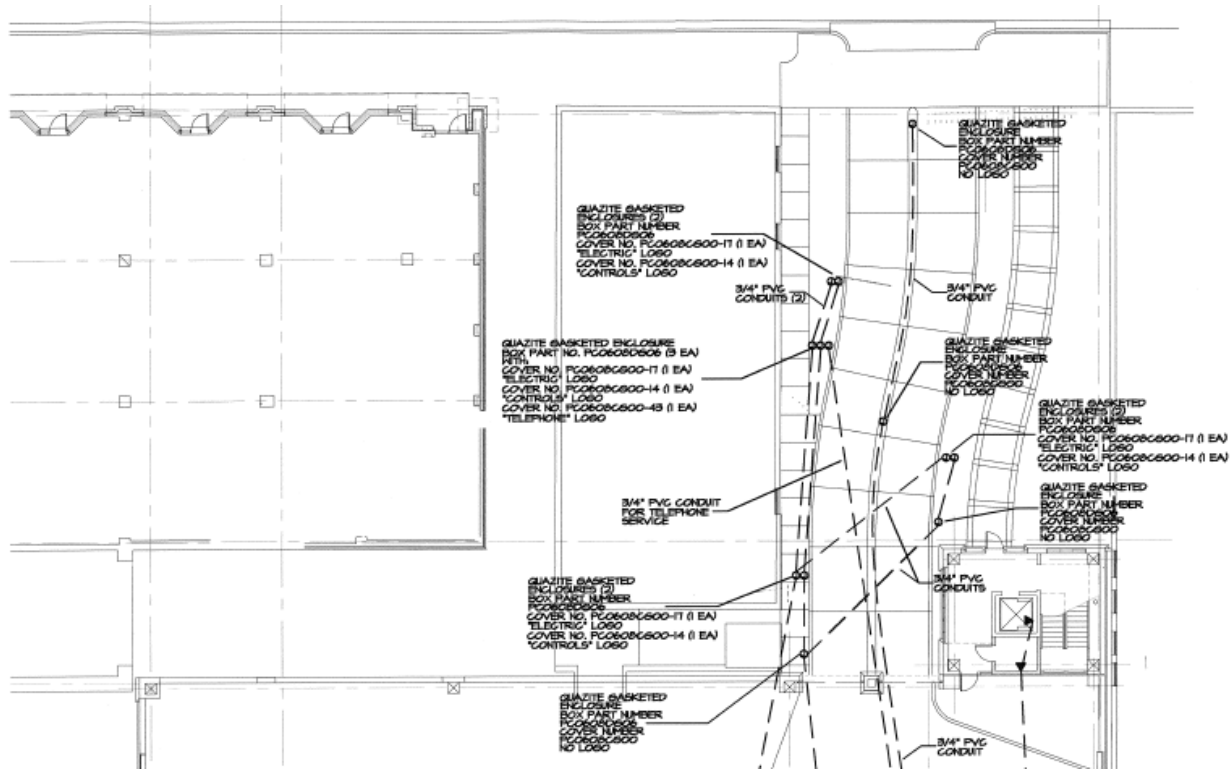


RFP Occupancy Count Signage Attachment A

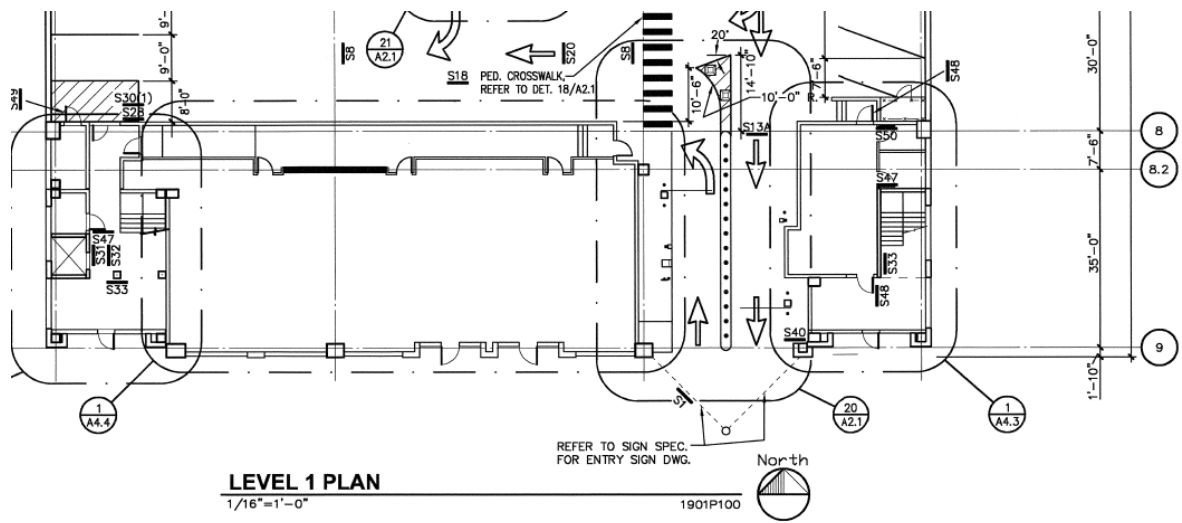
Front Street Entrance



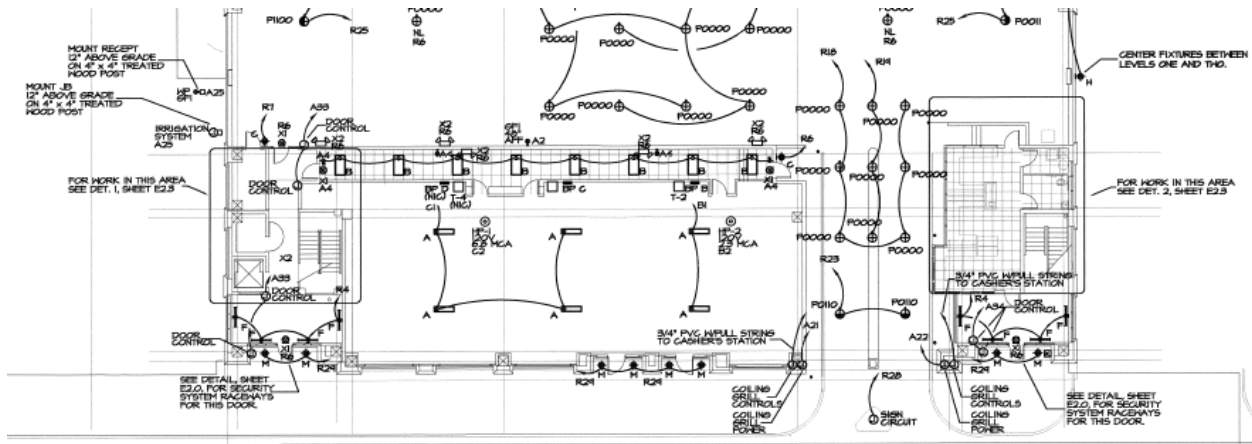
RFP Occupancy Count Signage Attachment A



State Street Entrance

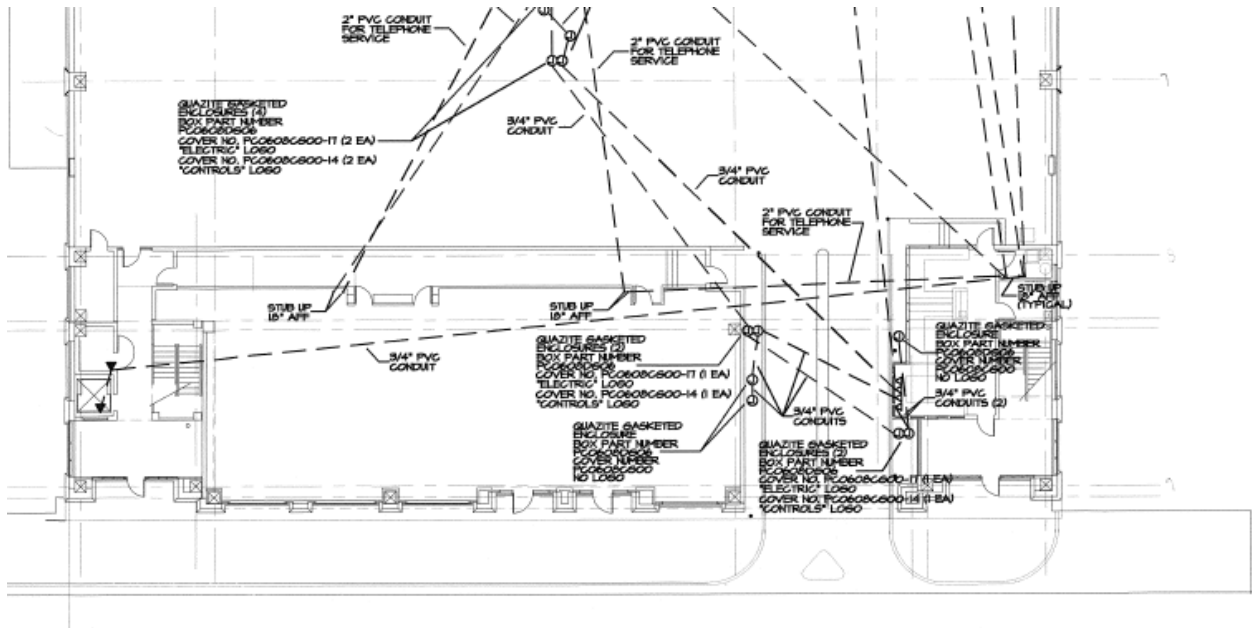


RFP Occupancy Count Signage Attachment A



LEVEL 1 PLAN

1/16" = 1'-0"



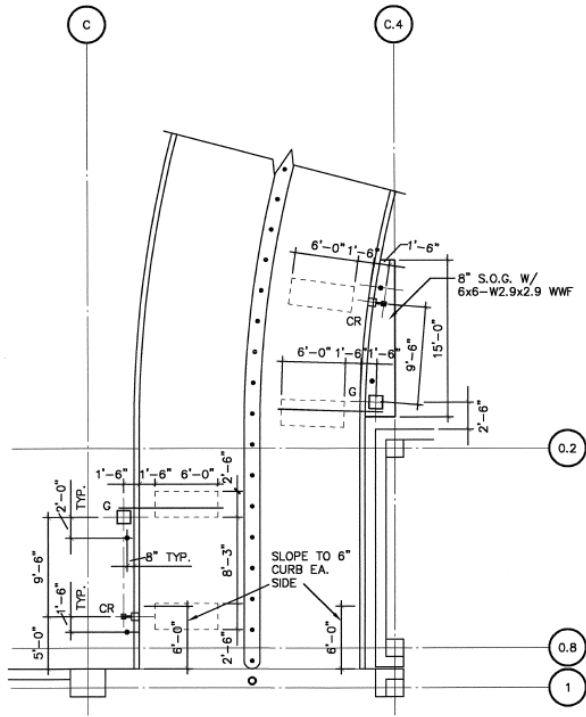
LEVEL 1-UNDERGROUND CONDUIT PLAN

1/16" = 1'-0"



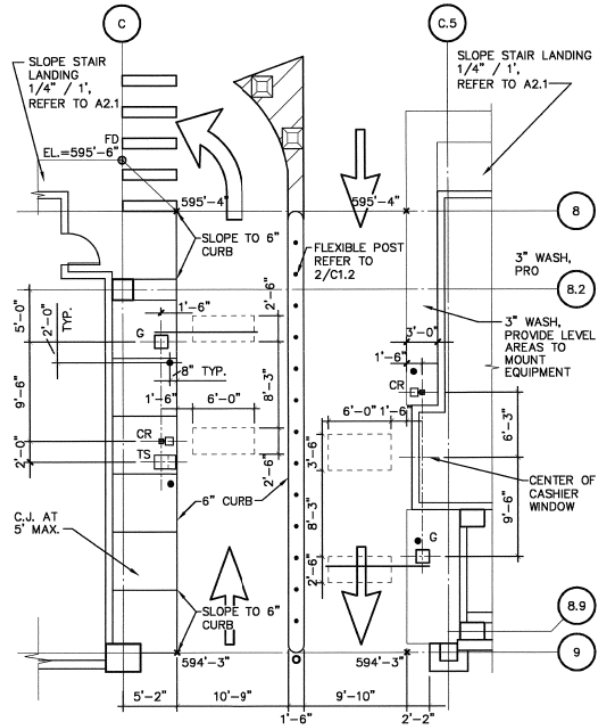
Entrances

RFP Occupancy Count Signage Attachment A



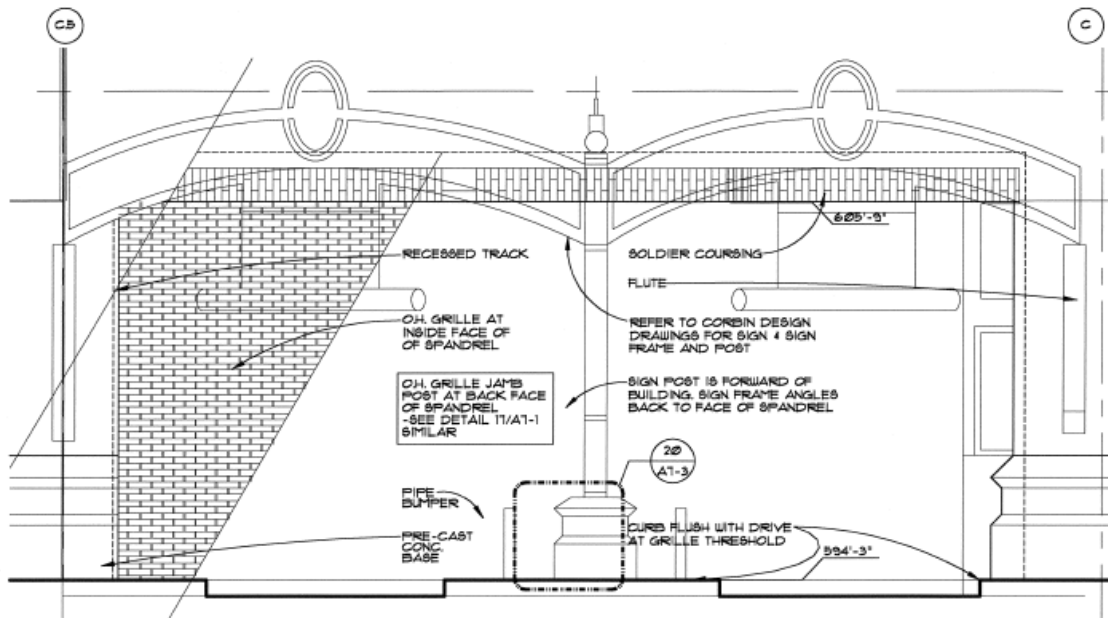
19 FRONT STREET ENTRANCE
 1/8" = 1'-0"

1901D292

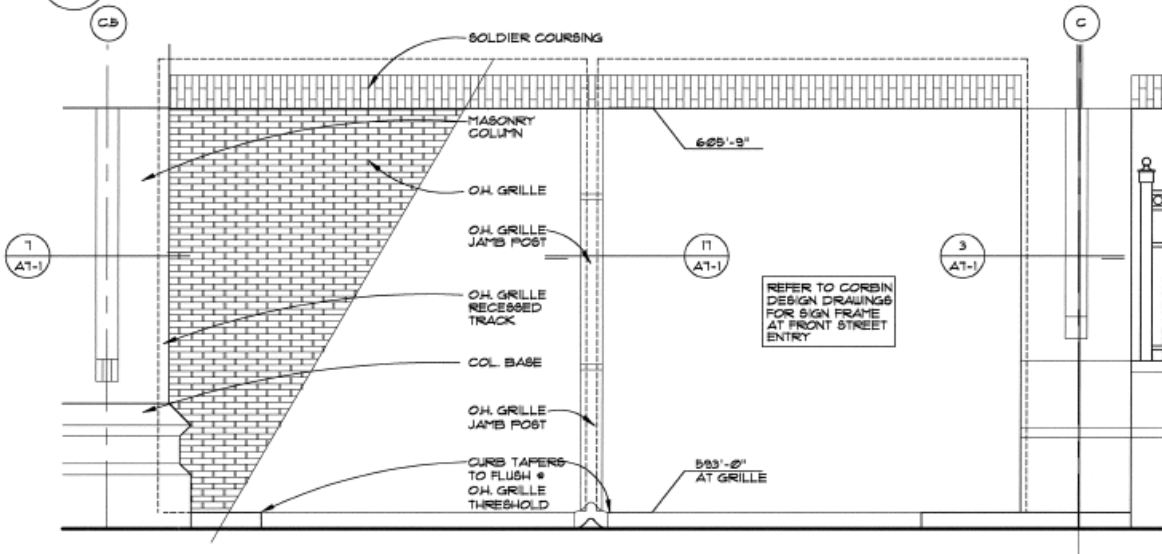


20 STATE STREET ENTRANCE
 1/8" = 1'-0"

1901D290



13 SOUTH VEHICULAR ENTRY
A5-5 SCALE: 3/8" = 1'-0"



9 NORTH VEHICULAR ENTRY
A5-5 SCALE: 3/8" = 1'-0"